

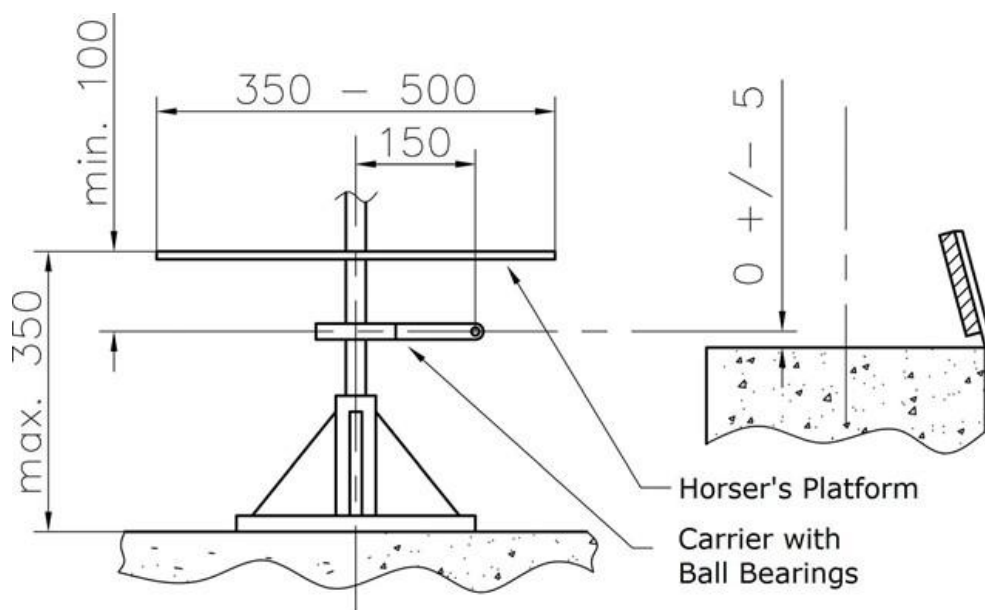
TRACK INSPECTION

General			
Track location		Date of inspection	

Summary	
Conclusion	<input type="checkbox"/> OK <input type="checkbox"/> OK with exemptions (see comments below) <input type="checkbox"/> Not OK (see comments below)
Comments	<p><i>Please note that exemptions (for example if installations do not comply with regulations but ensure comparable or higher safety) can only be granted in consultation with the FEMA Technical Secretary.</i></p>

Approval	
	Print name
	Signature
Inspector 1	
Inspector 2	
Technical Delegate	

Centre post		
	Comments	Check
Centre post is in good condition?		<input type="checkbox"/> OK
Centre post is solid and securely anchored?		<input type="checkbox"/> OK
Centre pivot bearing is free to turn?		<input type="checkbox"/> OK
Centre post dimensions are correct? (TR 3.6)	<i>Please mark up below drawing with checks</i>	<input type="checkbox"/> OK
Start of season check has been performed? (TR A1)		<input type="checkbox"/> OK
Additional remarks?		



Example Illustration: Driver's Centre Post (see TR 3.6)

Cables		
	Comments	Check
Cables are in good condition?		<input type="checkbox"/> OK
Fastening elements and safety pins are in good condition?		<input type="checkbox"/> OK
Cable ends are colour coded? (TR 4.6.1)		<input type="checkbox"/> OK
Cable diameters are according to latest requirements? (TR 4.5.1)		<input type="checkbox"/> OK
Cables are less than 4 years old?	<p><i>Please provide the dates according to labels on inner thimble of cables (TR 4.6.2)</i></p> <p>Class 1:</p> <p>Class 2:</p> <p>Class 3:</p> <p>Class 4:</p> <p>Class 5:</p>	<input type="checkbox"/> OK
Additional remarks?		

Safety barrier		
	Comments	Check
Safety barrier is in good condition?	<i>Please provide pictures</i>	<input type="checkbox"/> OK
Safety barrier dimensions are acceptable? (TR 3.3.1)		<input type="checkbox"/> OK
Double fencing is in good condition?	<i>Please provide pictures</i>	<input type="checkbox"/> OK
Double fencing dimensions are acceptable? (TR 3.3.2)		<input type="checkbox"/> OK
Driver's station is protected? (TR 3.3.3)	<i>Please provide pictures</i>	<input type="checkbox"/> OK
Additional remarks?		

Shut-off device		
	Comments	Check
Shut-off device is in good condition?	<i>Please provide pictures from both sides</i>	<input type="checkbox"/> OK
Pivot of the shut-off device is 80cm or higher above the track? (TR 3.5.1)		<input type="checkbox"/> OK
Operating lever is outside the track area within the driver's stand? (TR 3.5.1)		<input type="checkbox"/> OK
Additional remarks?		

Track		
	Comments	Check
Track surface is in good condition?		<input type="checkbox"/> OK
Track width and apron width is correct? (TR 3.1.3)		<input type="checkbox"/> OK
Centre horsing area diameter is correct? (TR 3.1.4)		<input type="checkbox"/> OK
Additional remarks?		